

Eaton 12V 120W Battery



Features

- Completely maintenance-free, sealed construction eliminates the need for watering
- Analytical Grade electrolyte
- Valve regulated maximum internal pressure of 2.5 psi
- ABS UL924-V2 flame-retardant case and cover
- Low self-discharge
- FAA and IATA approved as non-hazardous
- Built to comply with IEC 896-2, DIN 473534, BS 6290 Pt4, Eurobat
- Exclusive two-year battery parts coverage and one-year battery labor coverage

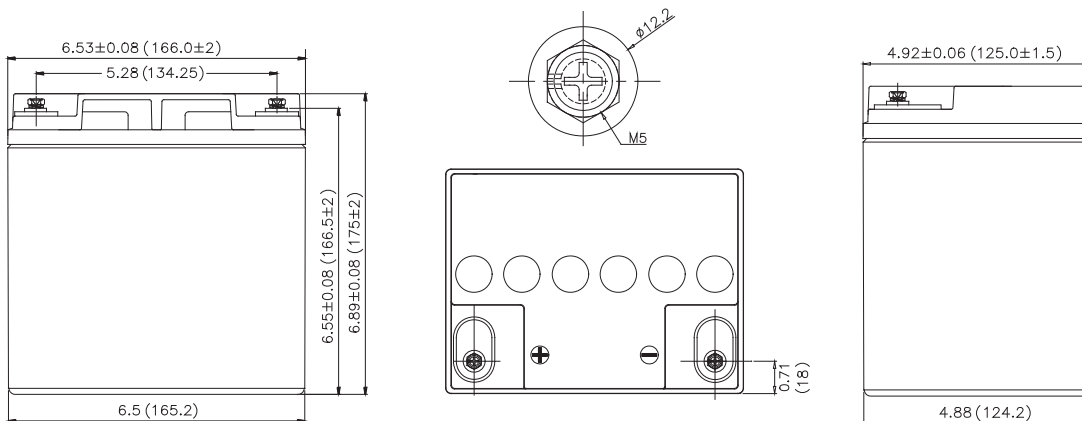
CONSTANT POWER DISCHARGE CHARACTERISTICS: WATTS/CELL (77°F, 25°C)

End point volts/cell	2 min	4 min	6 min	8 min	10 min	15 min	20 min	30 min	60 min	90 min
1.85V	204	145	160	149	138	105	87	67	41	25
1.80V	225	172	166	155	144	110	89	68	42	25
1.75V	246	198	172	161	150	116	92	69	42	26
1.70V	267	225	178	166	156	122	95	69	43	27
1.67V	275	234	193	168	158	123	96	70	43	27
1.60V	295	255	198	170	161	125	98	70	44	28

All mentioned values are average values per battery per cell.

Tolerance: X < 6 min (+15% ~ -15%), 6 min X < 10 min (+12% ~ -12%), 10 min X < 60 min (+8% ~ -8%), X 60 min (+5% ~ -5%)

DIMENSIONS [H x W x D, in (mm)]



Powering Business Worldwide

Technical specifications

Cells per unit	6
Voltage per unit	12
Capacity	120W @ 15-minute rate to 1.67V per cell @ 77°F (25°C)
Weight	Approximately 23.6 lb (10.7 kg)
Maximum discharge current	400A (5 sec)
Internal resistance	Approximately 9 mΩ
Operating temperature range	Discharge: 5°F~122°F (-15°C~50°C) Charge: 5°F~104°F (-15°C~40°C) Storage: 5°F~104°F (-15°C~40°C)
Nominal operating temperature range	77°F ± 5°F (25°C ± 3°C)
Float charging voltage	13.5 to 13.8 Vdc/unit Average at 77°F (25°C)
Recommended maximum charging current limit	12A
Equalization and cycle service	14.4 to 15.0 Vdc/unit Average at 77°F (25°C)
Self discharge	Batteries can be stored for six months at 77°F (25°C). Please charge batteries before using. For higher temperatures the time interval will be shorter. Voltage test prior to battery installation is recommended.
Terminal	12-thread lead alloy recessed terminal to accept M6 bolt
Container material	Polypropylene UL94-V0/File E50955 Flammability resistance of UL94-HB/File E216959 is available upon request.



PowerChain Management®

UNITED STATES
8609 Six Forks Road
Raleigh, NC 27615 U.S.A.
Toll Free: 1.800.356.5794
or 919.872.3020

www.powerware.com/batteries

CANADA
Ontario: 416.798.0112
Toll free: 1.800.461.9166

LATIN AMERICA
Argentina: 54.11.4124.4000
Brazil: 55.11.3616.8500
México: 52.55.9000.5252
Portugal: 55.11.3616.8500

EUROPE/MIDDLE EAST/AFRICA
Denmark: 45.3686.7910
Finland: 358.94.52.661
France: 33.1.6012.7400
Germany: 49.0.7841.604.0
Italy: 39.02.66.04.05.40
Norway: 47.23.03.65.50
Sweden: 46.8.598.940.00
United Kingdom: 44.1753.608.700

ASIA PACIFIC
Australia: 61.2.9693.9366
New Zealand: 64.0.3.343.3314
China: 86.21.6361.5599
HK/Korea/Taiwan: 852.2745.6682
India: 91.11.2649.9414 to 18
Singapore/SEA: 65.6825.1668

Eaton, Powerware and PowerChain Management are trade names, trademarks, and/or service marks of Eaton Corporation or its subsidiaries and affiliates. All other trademarks are the property of their respective owners.